



Features

Eco-Friendly Refrigerant

R290 refrigerant with a global warming potential (GWP) of 3

Crew-Proof Construction

Stainless steel exterior, galvanized bottom to reduce the risk of corrosion, and heavy-duty soft casters

Insulated Lids

Removable, side-to-side sliding lids for easy access

Cabinet Capacity

Maximized interior storage area of 5.28 cubic feet

Protective Bumpers

Protective bumpers to reduce equipment impact

Mobility

5" heavy-duty soft casters plus a sleek design allow for easy movement around the kitchen

Easy to Clean

Stainless steel interior with coved corners, finished edges, plus removable cover and top section

High-Density Insulation

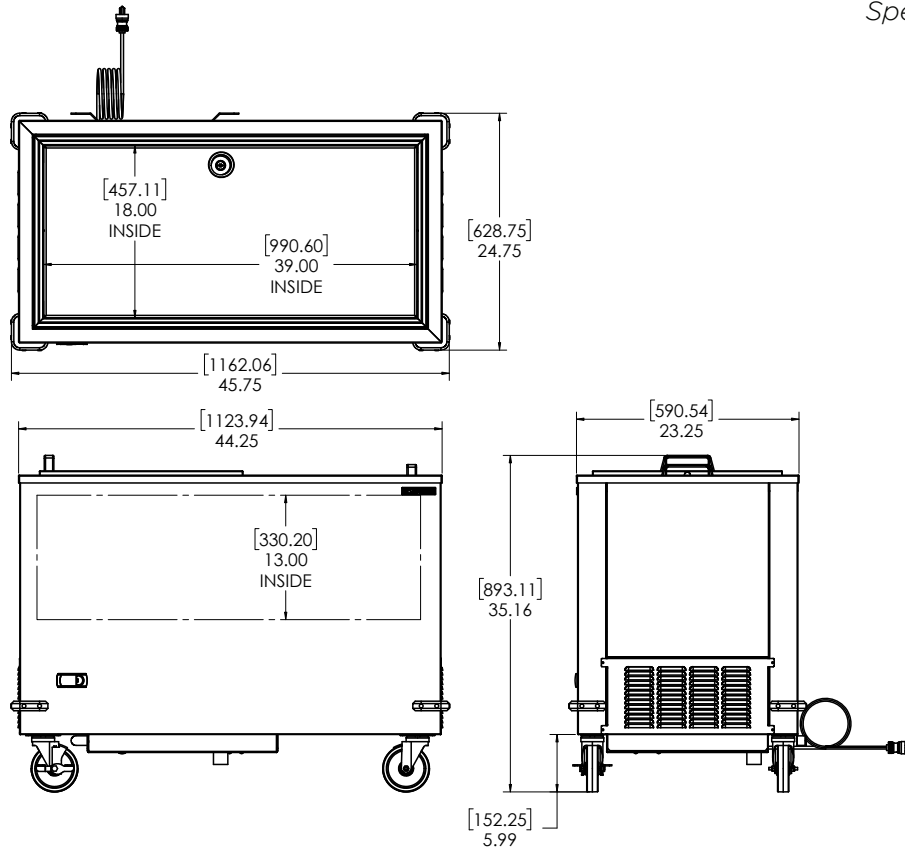
Foamed-in-place, CFC-free polyurethane insulation for maximum strength, rigidity, and insulation

Cold Wall Refrigeration System

Optimized temperature control thanks to the cold wall refrigeration and top access

Digital Temperature Control

Externally mounted temperature controls for ease of use



Technical Specifications

| | |
|----------------------------------|--|
| Electrical Requirements | 115v/60hz/1ph/5.1A/NEMA 5-15P Plug |
| Product Dimensions | 45.75"W x 35.2"H x 24.75"D (116.21cm x 89.41cm x 62.87cm) |
| Product Weight | 210lbs (95.25kg) |
| Shipping Dimensions | 51"W x 42"H x 31"D (129.54cm x 106.68cm x 78.74cm) |
| Shipping Weight | 230lbs (104.33kg) |
| Shipping Cubic Dimensions | 37.19ft ³ (1.05m ³) |
| Temperature Range | -5 to 5°F (-20.6 to -15°C) |
| Refrigerant | R290 |
| Insulation | Foamed-in-place, CFC-free polyurethane |

| | |
|------------------------------|--|
| Exterior Construction | Stainless steel exterior with galvanized bottom |
| Interior Construction | Stainless steel interior with coved corners and finished edges |
| Lids | Side-to-side sliding, insulated, removable |
| Internal Capacity | 5.28ft ³ |
| Casters | Four (4) 5" heavy-duty soft casters (two locking) |
| Certifications | ETL SAFETY, ETL SANITATION |
| Warranty | 1-year parts and labor, 5-year compressor (part only) |

| Model Number | Description |
|---------------|---|
| SKFMW44-ELUS1 | Meatwell freezer 44", 115v/60hz/1ph, insulated side-to-side sliding lids, bumpers, 5" heavy-duty soft casters (two locking), NEMA 5-15P |

To learn more about **Meatwell Freezer**, visit silverking.com